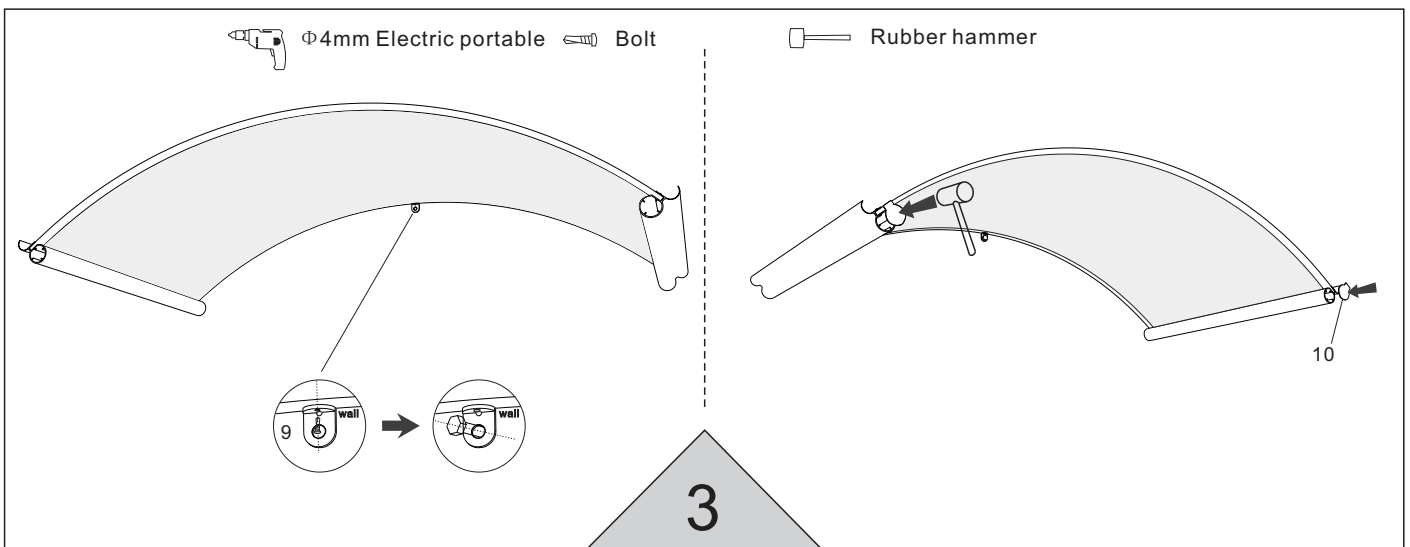
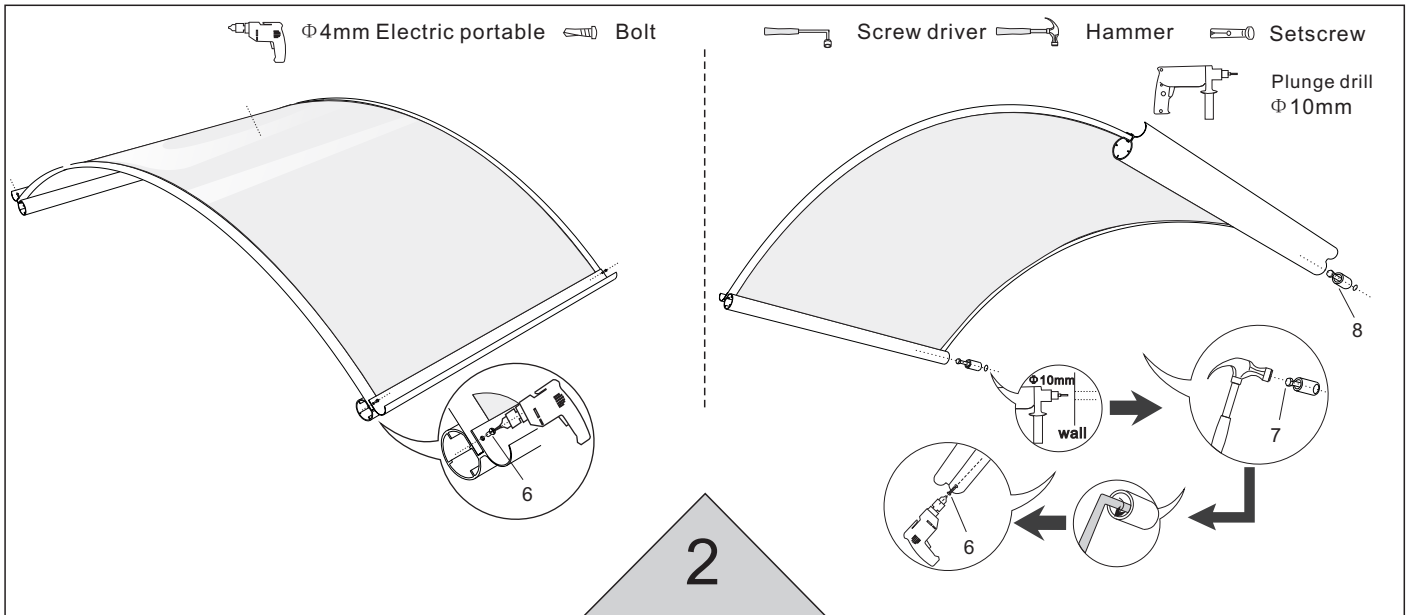
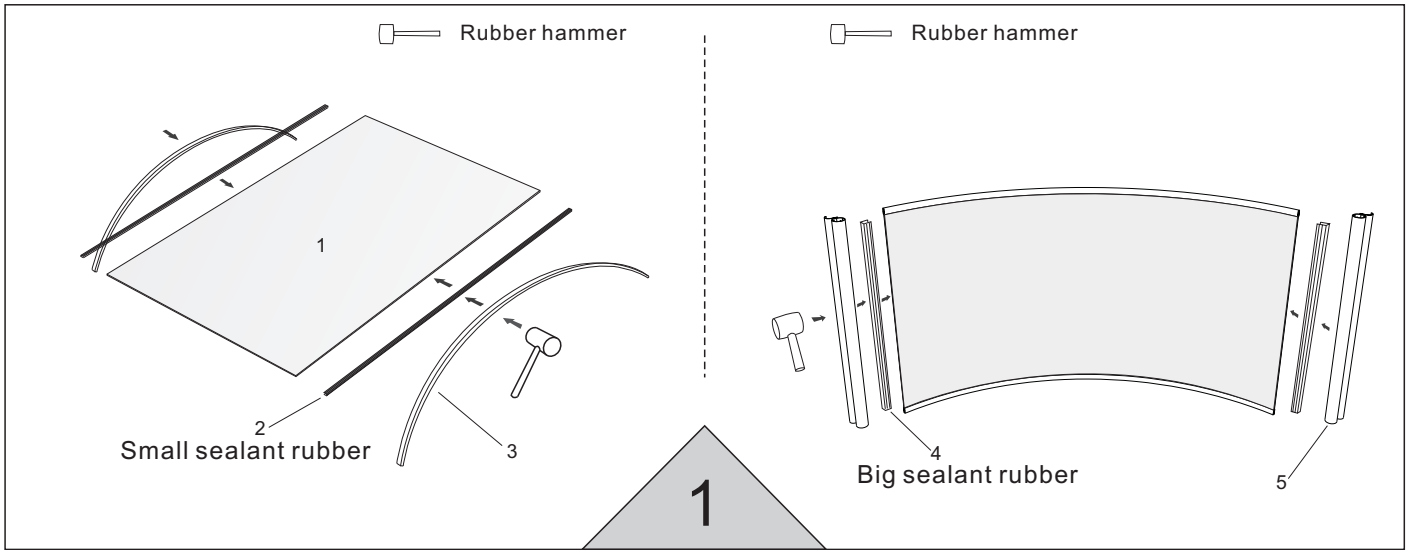
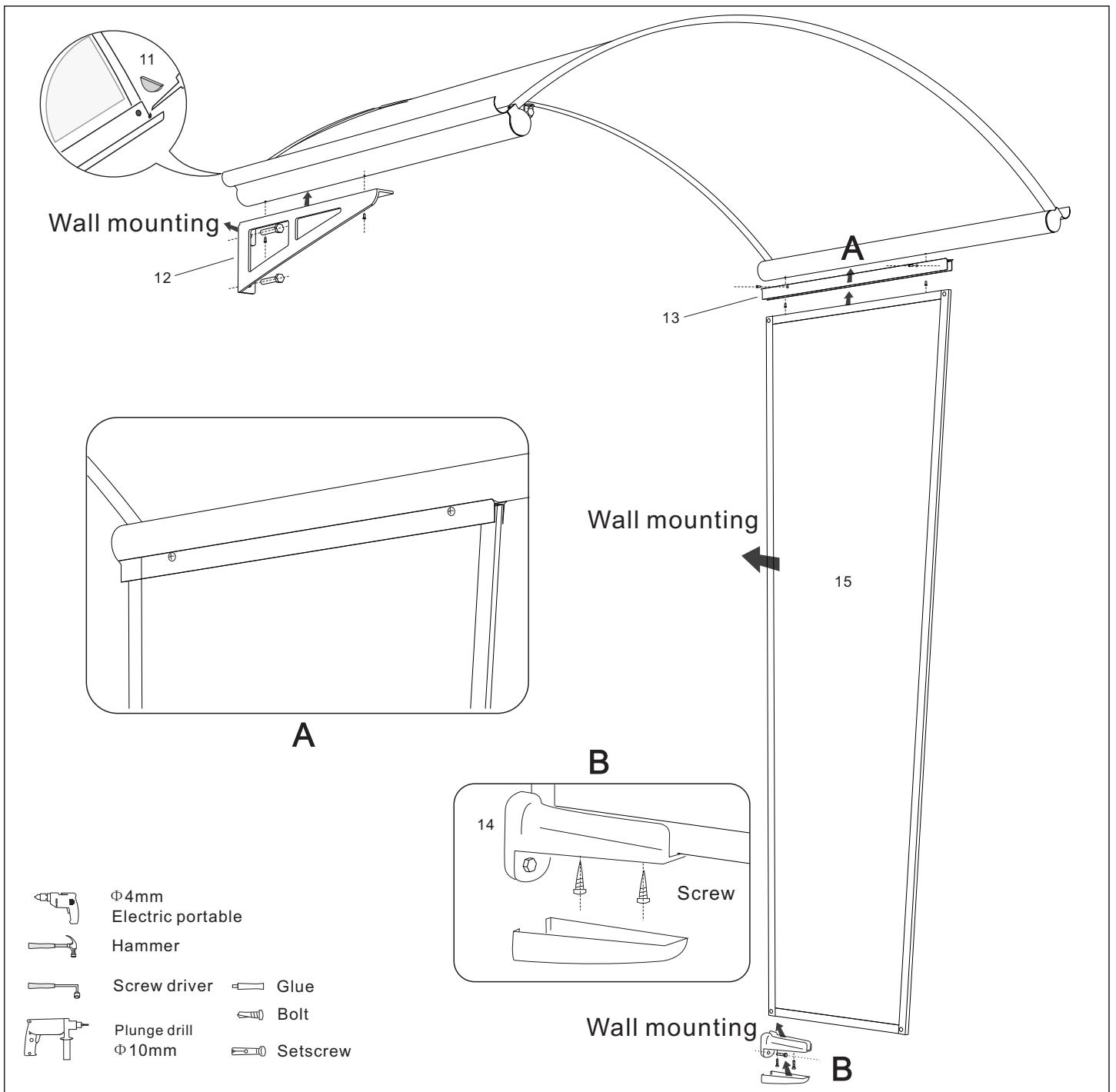


ROMA

Assembling Instruction



* Notice! please drill diameter of 4mm hole when use self drilling bolt.



components

	Drawing	Number	Indication		Drawing	Number	Indication
1		1	Board	8		2	Wall pendant
2		2	Small sealant rubber	9		1	L-connector
3		2	Aluminium bar	10		2	Capping
4		2	Big sealant rubber	11		2	Anti-water capping
5		2	Bracket	12		1	Wall Bracket
6		14	Self drilling screw	13		1	U-connector
7		6	Setscrew	14		1	Bottom support of side panel
				15		1	Side panel